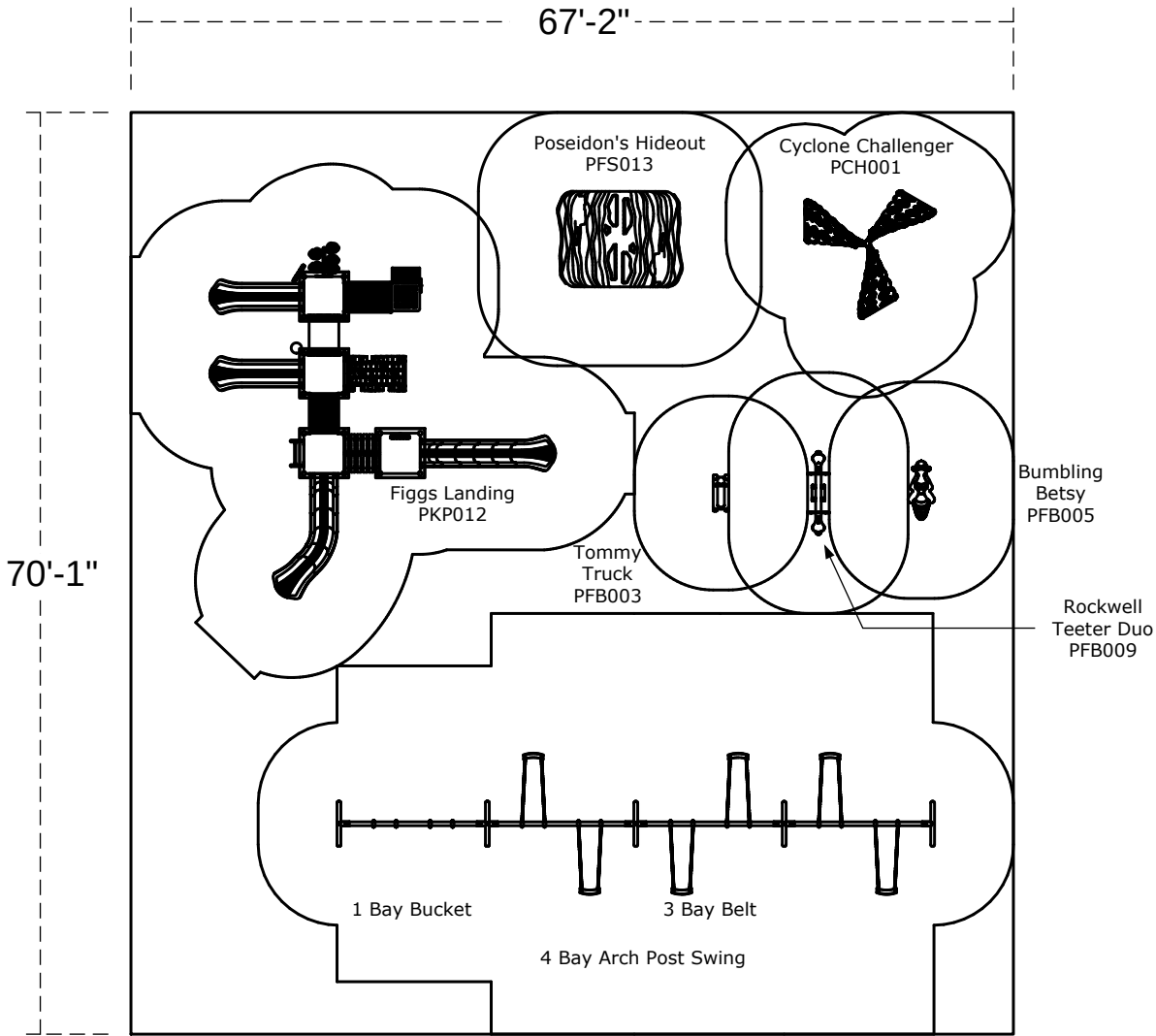


Backyard Solutions | Package 4



Area: ~4710 ft²
 Perimeter: ~275 ft

Design Request#: 23-03314

Created On: April 10, 2023

The information provided on this sheet is subject to change without notice.